

by-pass dampers



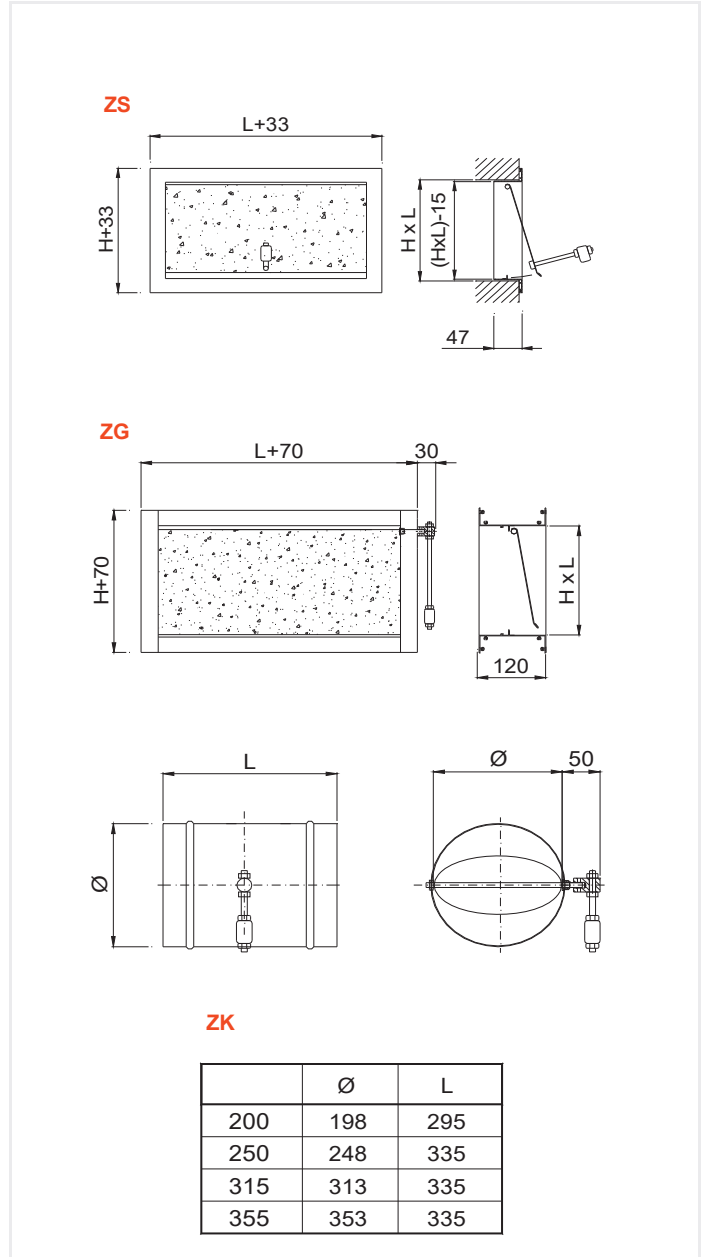
Description

Adjustable pressure dampers by means of a counterbalance to maintain the pressure balance in the ductwork for Zoning System R/C. Constructed from aluminium and galvanised steel.

ZS Pressure damper for wall mounting by means of visible screws.

ZG Pressure damper for rectangular duct mounting.

ZK Pressure damper for circular duct mounting.



L x H mm	ZS eur	Q interior unit m3 / h	L x H mm	ZG eur	Q interior unit m3 / h	Ø mm	ZK eur	Q interior unit m3 / h
400 x 100		600-750	300 x 100		600-750	200		750-1000
300 x 150		850-1000	400 x 100		850-1000	250		1250-1500
400 x 150		1000-1250	500 x 100		1000-1250	315		1750-2000
500 x 150		1200-1500	400 x 150		1200-1500	355		2250-2500
400 x 200		1500-1750	500 x 150		1500-1750			
450 x 200		1700-2000	400 x 200		1700-2000			
600 x 200		2100-2500	500 x 200		2100-2500			
500 x 250		2500-3000	500 x 250		2500-3000			
600 x 250		3000-3500	500 x 300		3000-3500			
600 x 300		3400-4000	600 x 250		3400-4000			
2 Un. 500x200		3800-4500	600 x 300		3800-4500			
2 Un. 600x200		4200-5000	2 Un. 500x200		4200-5000			
2 Un. 500x250		4700-5500	2 Un. 600x200		4700-5500			
2 Un. 600x250		5100-6000	2 Un. 500x250		5100-6000			