

DEMAND-CONTROLLED HOME VENTILATION

- accessories -



Dantherm®
CONTROL YOUR CLIMATE

Accessories

Demand-controlled home ventilation – adapted to meet any requirement

Dantherm home ventilation units are compact units suitable for fitting to the ceiling or in standard cupboard units, e.g. in a utility room or passage. The units are designed to meet the technical requirements of most private homes.

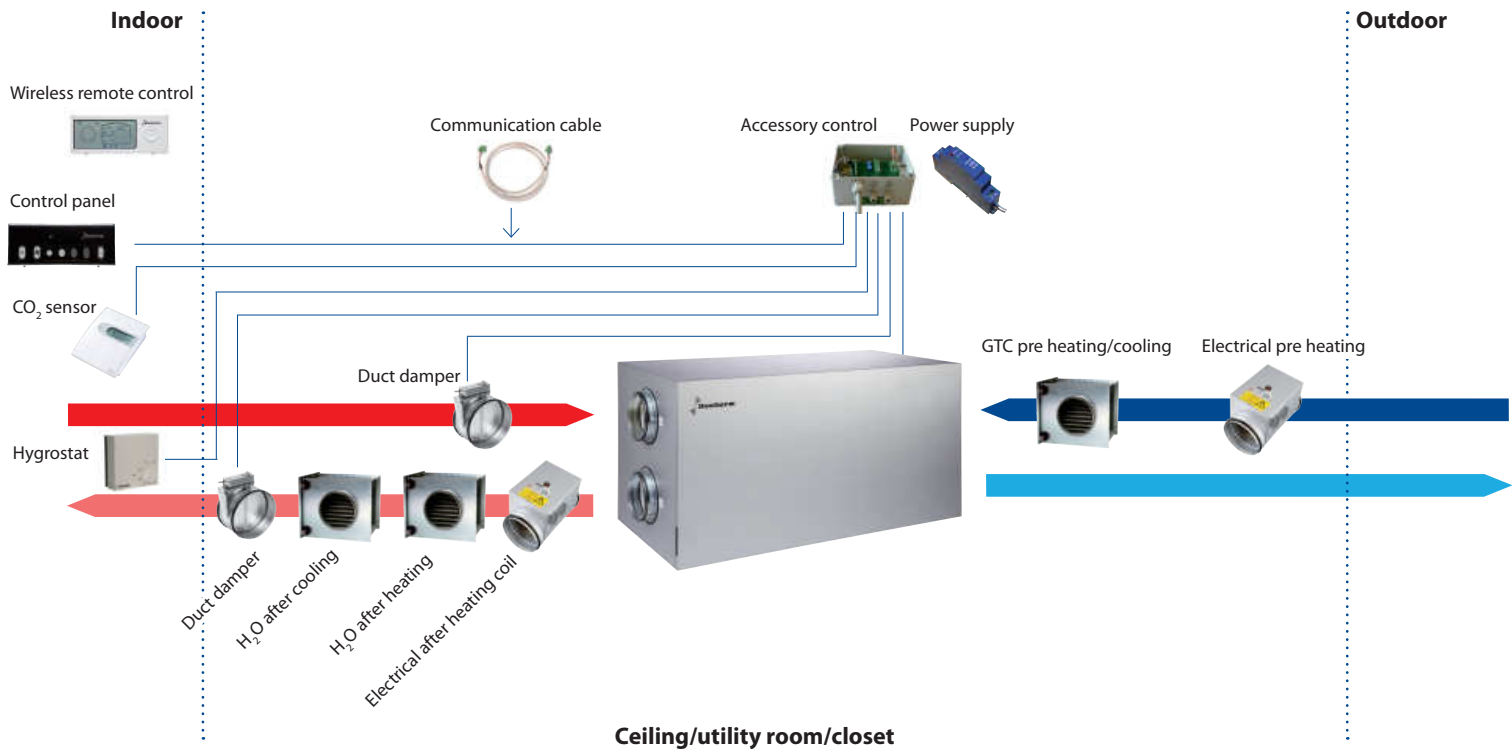
However, as we are aware that not all of our customers have identical require-

ments, we offer a wide range of accessories to optimise the system for use in most situations.

In areas where the outdoor temperature frequently falls below -6°C , we recommend fitting e.g. a preheater. Some people have pollen allergies and therefore need a special filter. Others still want a wireless remote control

so that they can read operating data at any time or switch over to manual control of the system from anywhere in the house.

We are on hand at all times to advise how to optimise your home ventilation system to meet your requirements.



**Power supply**

Power supply to be mounted in the accessory control if the ventilation unit is controlling the duct damper.

**Accessory control**

Accessory control with connection of heating coils, cooling coils, duct damper, stop function, fire thermostat, CO2 sensor, hygrostat and alarms, incl. 5 m cable.

**Wireless remote control, HRC 2**

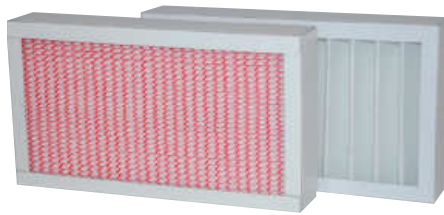
Get access to manual operation, automatic demand-control, week, night and "away" program operation, outdoor temperature, room temperature, relative humidity etc.

**CO₂ sensor**

The CO₂ sensor is connected to the accessory control if the air change has to be controlled in accordance with the CO₂ level in a given room.

**Hygrostat**

The hygrostat is connected to the accessory control in case that a higher air change rate is required in rooms with high humidity.

**Filters**

Panel filters are supplied as a set with either two G4 filters or one G4 filter and one F7 filter. G4 is standard. F7 filters can be used on the supply air as a pollen filter.

**Water heating coil**

The water heating coil kit includes 2RR, 2-way water valve, 0-10V servo motor, 230/24VAC trafo, duct sensor and tube sensor for frost protection. It is controlled by the accessory control HAC 1.

**Servo motor****2-way water valve****230/24 V AC trafo****Electric pre-/ after heating coil 0-10V**

The heating coil is controlled by a stepless regulation via the accessory control HAC 1.

**Electric pre-/ after heating coil - direct control**

The heating coil is controlled by the built-in thermostat. Both heating coils are supplied with a duct sensor.

**Communication cable**

Communication cable, 30 m extension, with plug for connection of control panel to the HCH/HCV unit.

**Siphon trap kit**

Siphon trap kit including 2 m 3/4" armed hose and glands.

**Heat cable**

Heat cable, 230V, 10W/m, including 5°C thermostat for frost protection of drain.

**Wall mounting rail for plane installation**

Mounting rail for plane installation of HCV 5 behind the door in a cupboard.

ELECTRONICS COOLING

DEHUMIDIFICATION

VENTILATION

MOBILE HEATING AND COOLING

Dantherm is a market-leading supplier of energy-efficient climate control solutions for customers across the globe. Our subsidiaries in Norway, Sweden, Germany, the UK, the US and China and our representative office in Russia unite approx. 600 employees. We operate in the following four main business areas:

Electronics cooling:

Climate control for electronics and battery cooling in radio base stations and other Telecom infrastructure. Telecom customers include network suppliers and network operators.

Dehumidification:

Mobile and stationary dehumidifiers for drying buildings and for use in private pools and wellness centres.

Ventilation:

Large ventilation systems used in swimming pools and buildings such as shopping centres and cinemas requiring frequent air change. The range also includes domestic ventilation products based on high-performance heat exchangers.

Mobile heating and cooling:

Products for heating or cooling of tents and equipment used by the armed forces and aid organisations. The customers are primarily the armed forces in NATO countries as well as tent and container manufacturers.

Dantherm Air Handling A/S

Marienlystvej 65
DK-7800 Skive, Denmark
Tel. +45 96 14 37 00
Fax +45 96 14 38 20
info@dantherm.com

